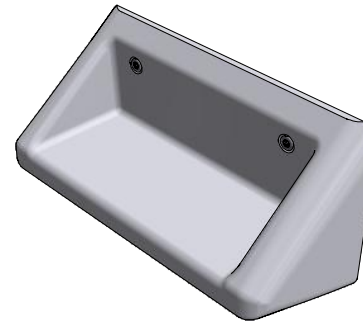
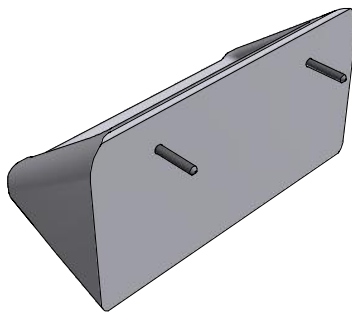
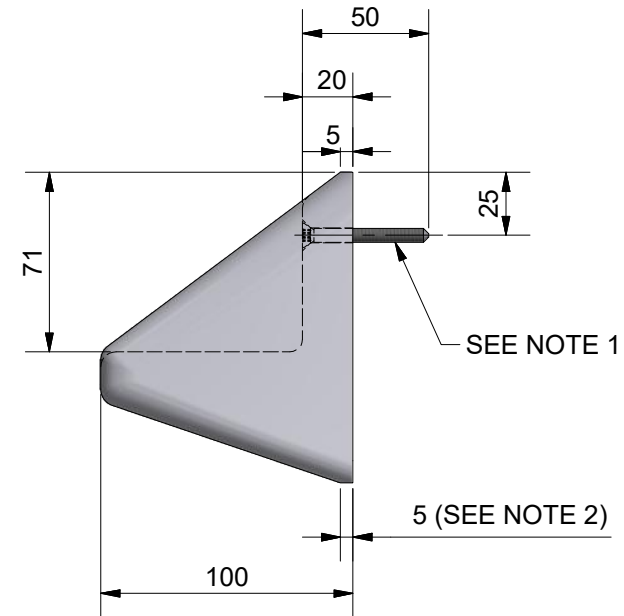
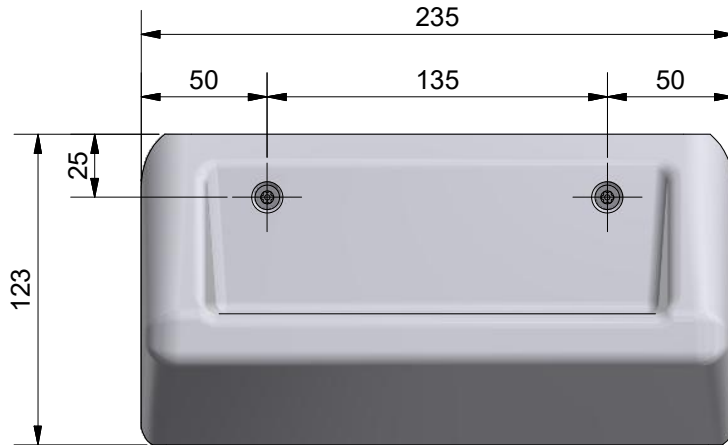


NOTES:

1. Security screw fasteners supplied, two off Torx security pin No 12 x 50mm countersunk head.
2. An anti pick hard set mastic such as Arbokol 1025 or Sikadur 33 should be applied around the edges of the shelf to the wall to ensure the anti ligature resistance is maintained. The 5mm flat on the shelf top & bottom edges are to facilitate the application of the mastic, using a suitable tool to shape the mastic to follow the angle of the shelf top & bottom faces.

| REVISION HISTORY | | | | |
|------------------|------------|-------------|----|------|
| REV | DATE | DESCRIPTION | BY | CHKD |
| 1 | 20/12/2017 | CREATED | PH | |



© 2017 Copyright THIS DRAWING IS THE PROPERTY OF WALLGATE LIMITED AND IS ISSUED ON THE STRICT UNDERSTANDING THAT THE INFORMATION CONTAINED WILL NOT BE REPRODUCED, COPIED OR USED WITHOUT PRIOR AGREEMENT OF WALLGATE LTD.



TITLE: Anti Ligature Shelf front fix.

Drg No: ALF-02FF

Model/Client/Project:

MATERIAL: POLYESTER SOLID SURFACE

FINISH: SILK - GLOSS POLISH

Limits: (unless stated)
 ± 0.25mm (sheetmetal)
 ± 0.10mm (machined)
 ± 2.00mm (pattern)
 ± 5.00mm (moulded)

All dimensions in mm,
 All angles 90° (unless stated)

Scale:

A4 **3rd**